

## Schematic Pages :

Page01 : Cover

Page02 : K61-IO

Page03 : K61-Jamlink/SPI/MIX

Page04 : K61-Power

Page05 : LCD

Page06 : DVP

Page07 : MIC

Page08 : Voice

Page09 : USB

Page10 : ETH

Page11 : TF

Page12 : CON/Module

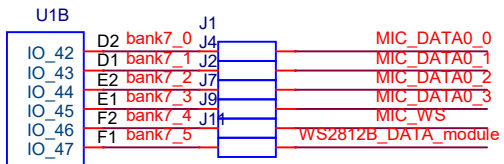
Page13 : Power

Kendryte

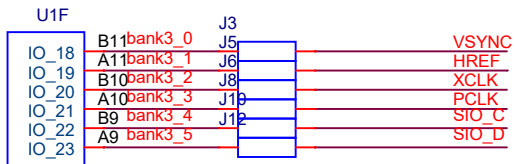


Canaan

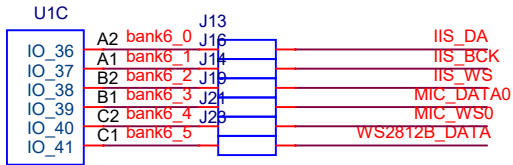
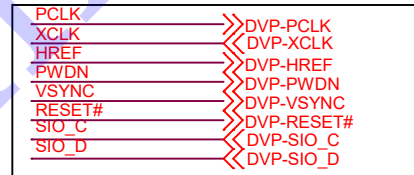
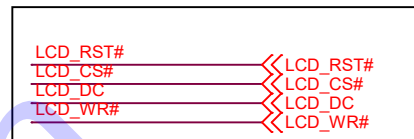
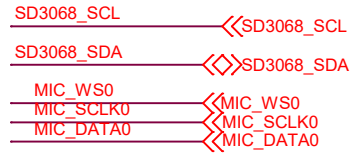
Size A	Document Number	KD233(Schematic_K210_test_board)	Rev V0.1
Date:	Wednesday, October 10, 2018	Sheet	1 of 13



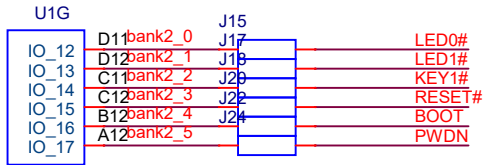
K61-03



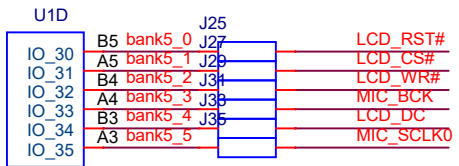
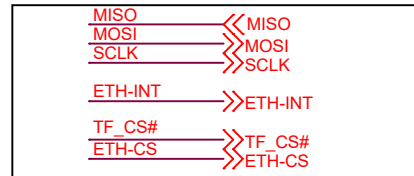
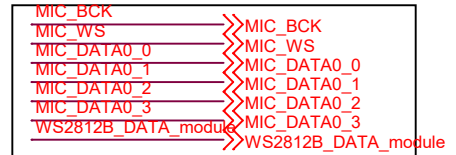
K61-03



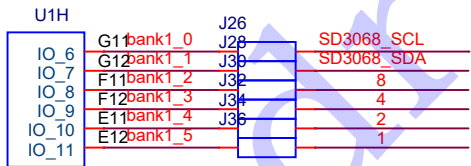
K61-03



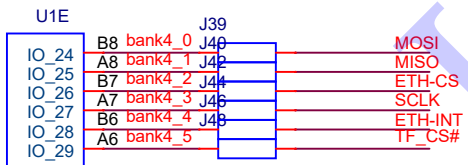
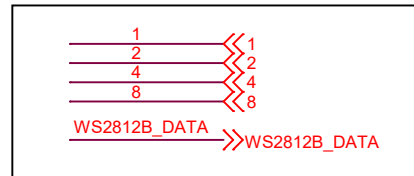
K61-03



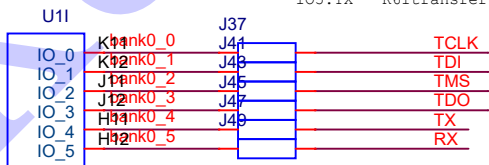
K61-03



K61-03



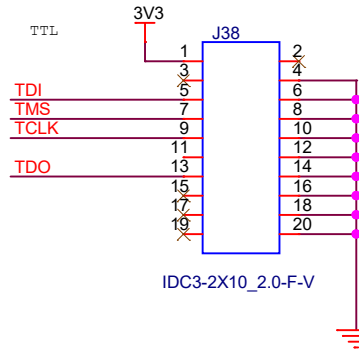
K61-03



K61-03

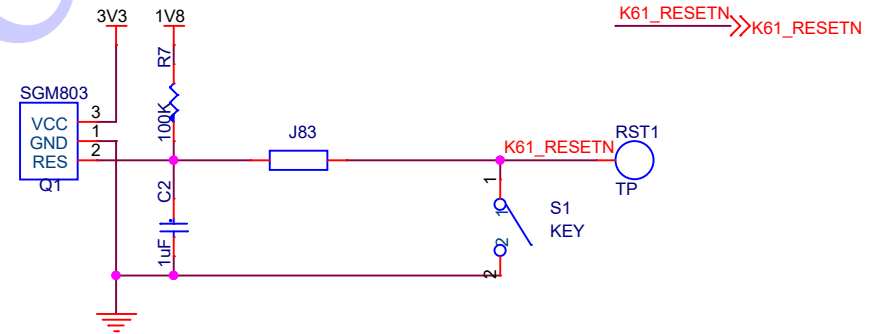
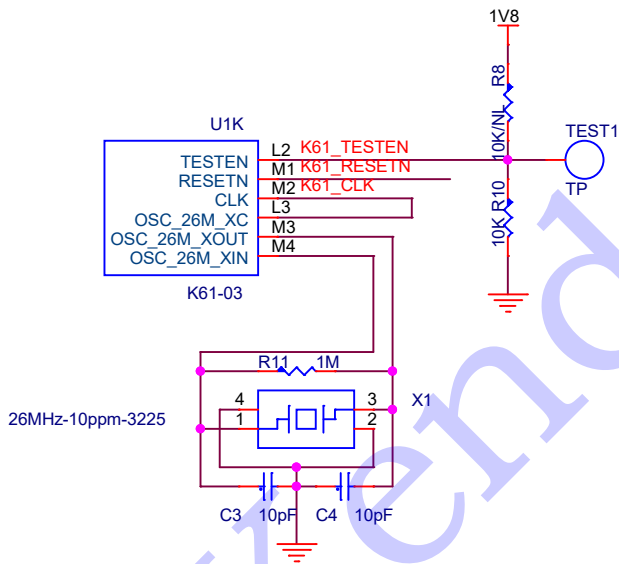
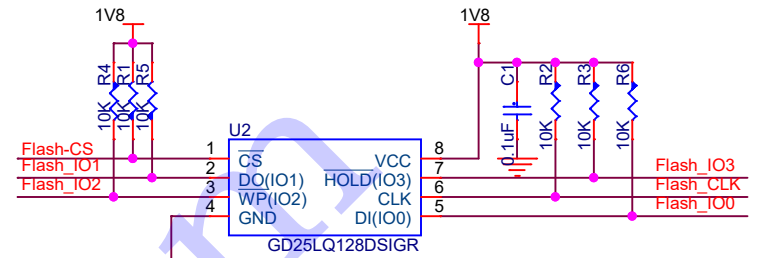
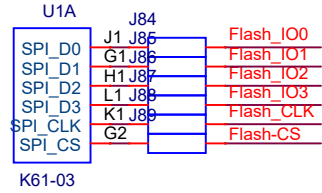
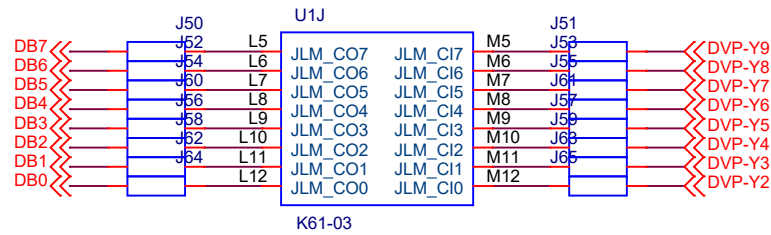
与公司的 jtag 线序样

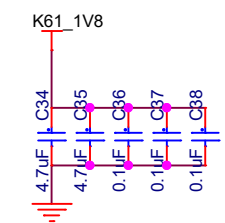
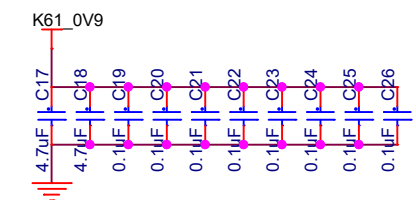
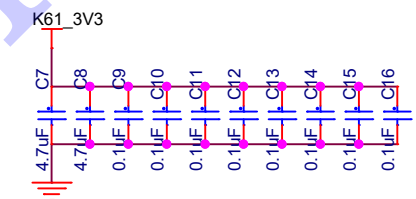
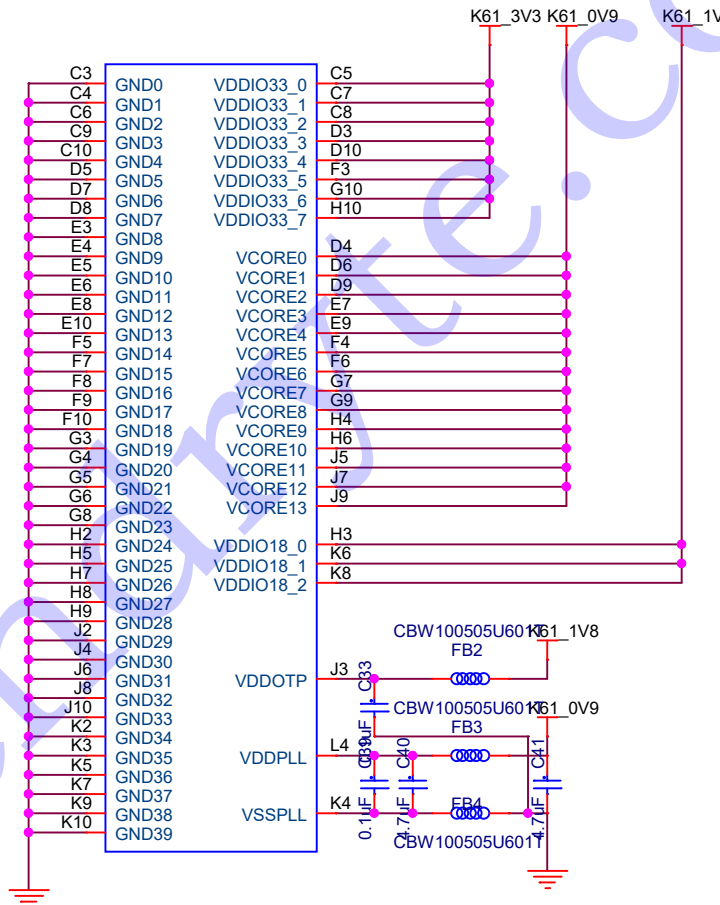
IO4:RX K61read data  
IO5:TX K61transfer data TTL




Kendryte

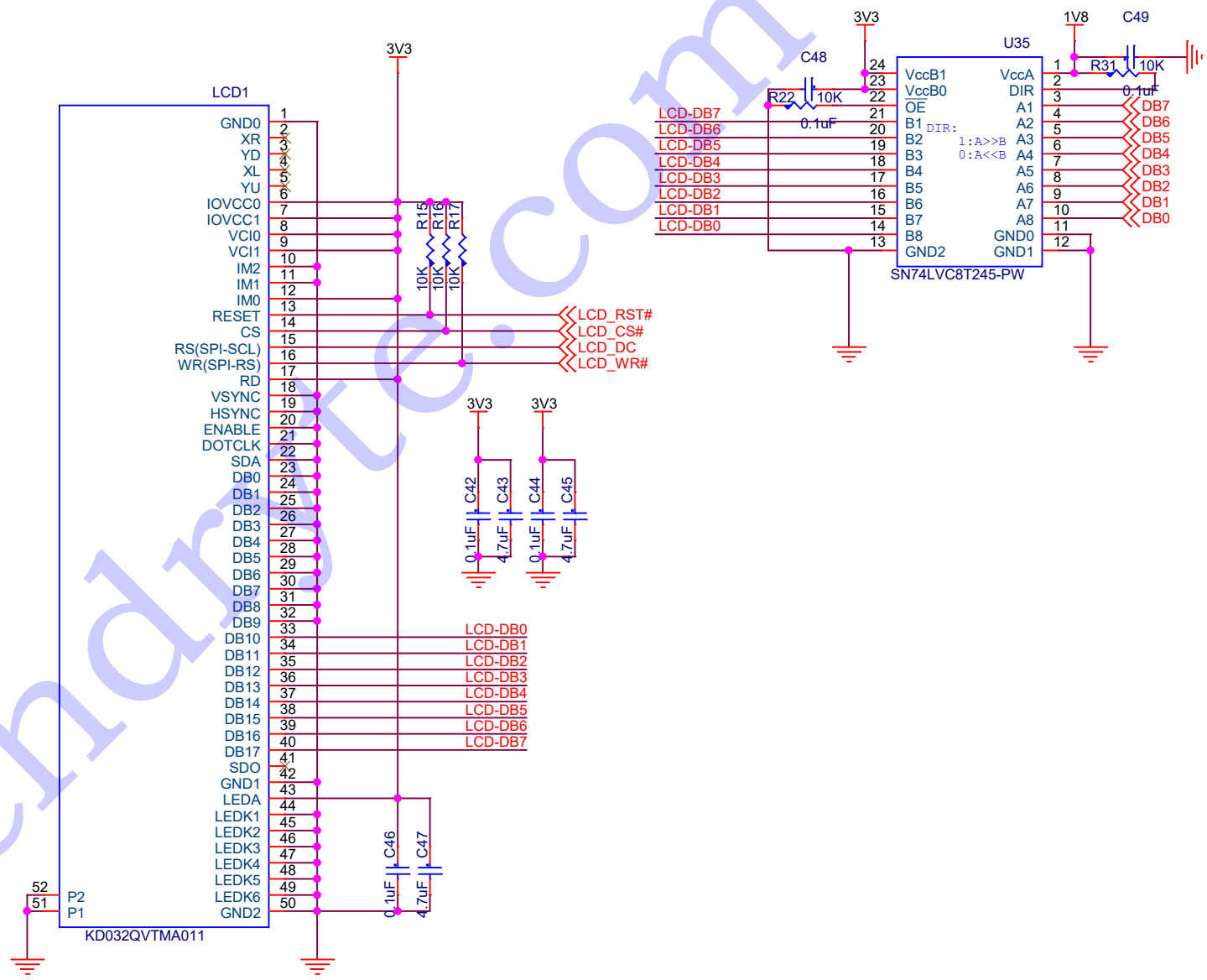
Size A4	Document Number KD233(Schematic_K210_test_board)	Rev V0.1
Date: Wednesday, October 10, 2018	Sheet 2	of 13





Kendryte.com

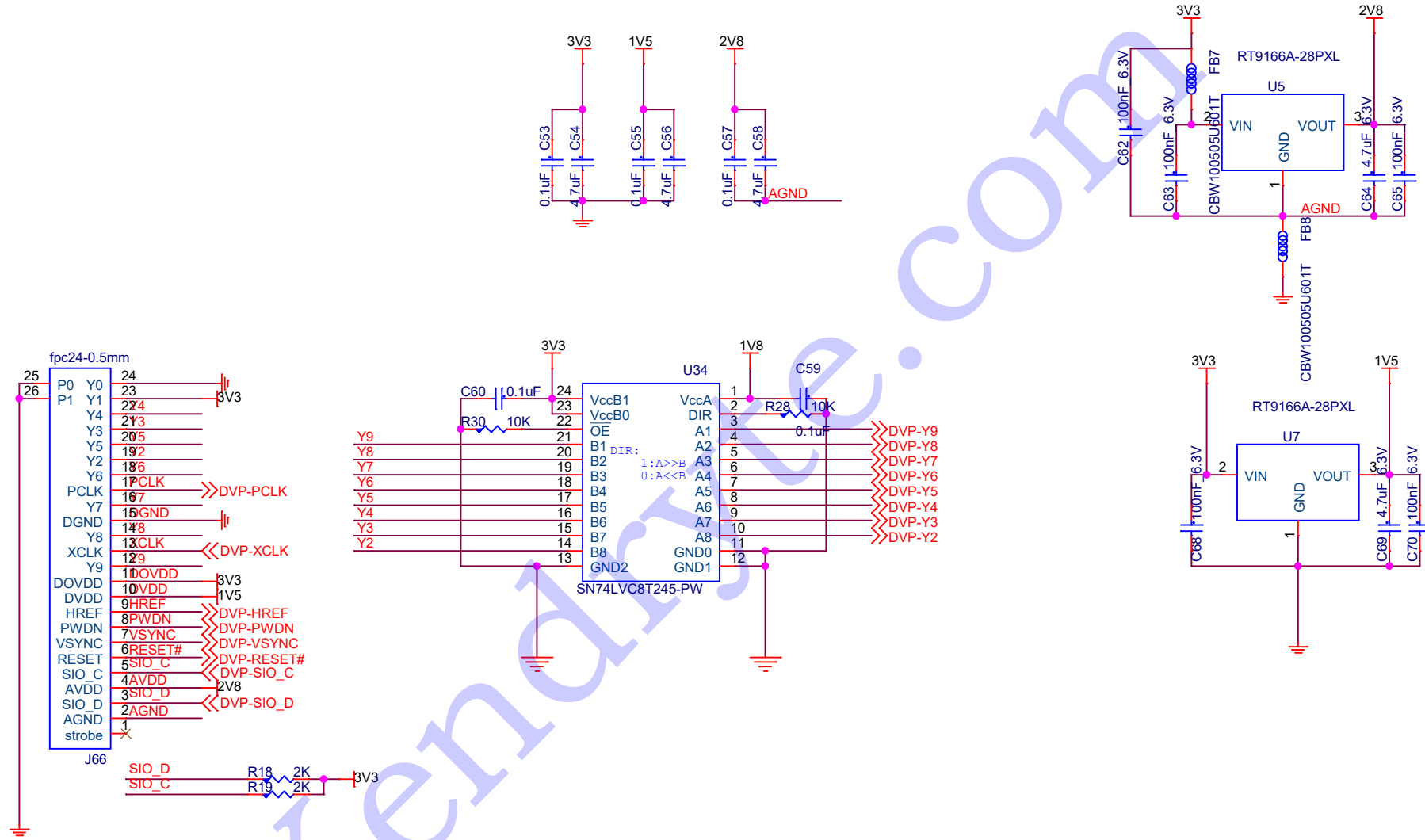
Kendryte			
Size A4	Document Number KD233(Schematic_K210_test_board)	Rev V0.1	
Date: Wednesday, October 10, 2018		Sheet 4 of 13	



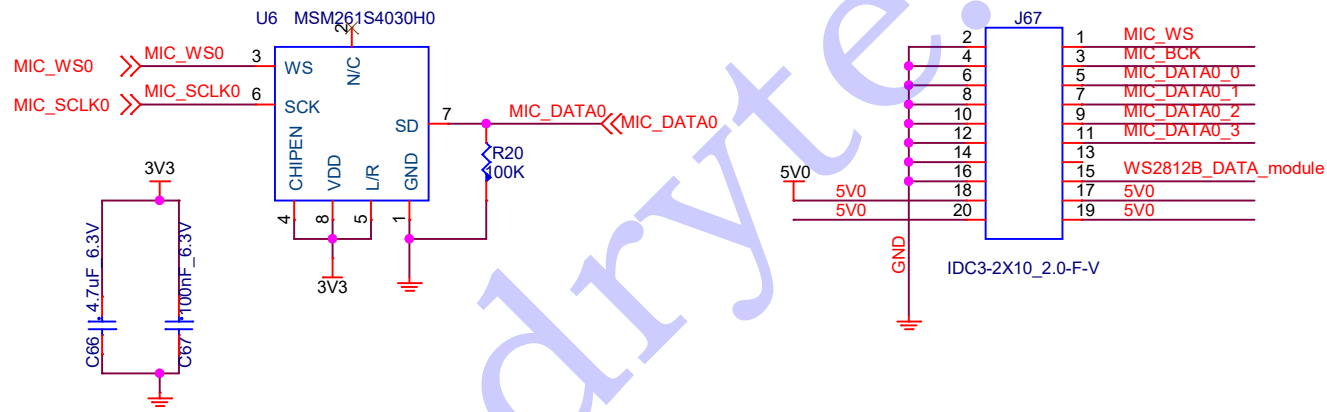
Kendryte.com

Kendryte		
Size A4	Document Number KD233(Schematic_K210_test_board)	Rev V0.1
Date: Wednesday, October 10, 2018		Sheet 5 of 13

# OV5640

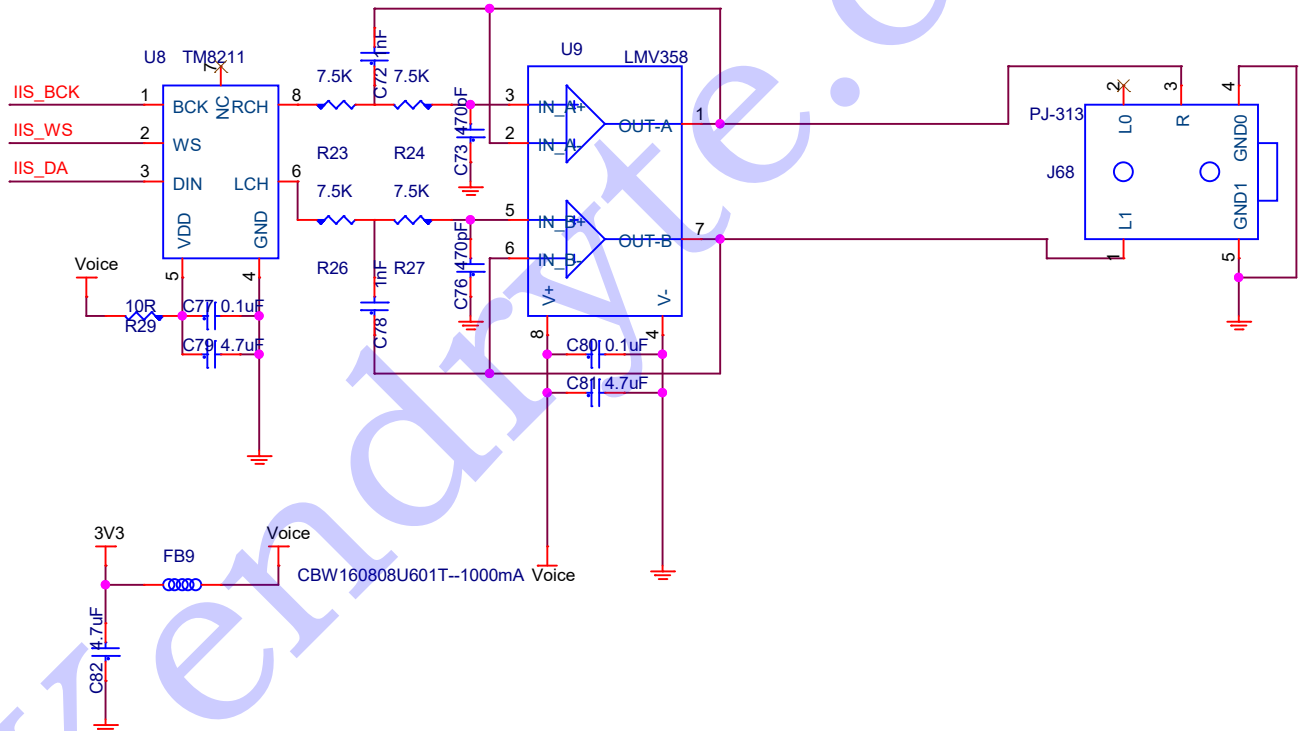


MIC\_BCK <>> MIC\_BCK  
 MIC\_WS <>> MIC\_WS  
 MIC\_DATA0\_0 <>> MIC\_DATA0\_0  
 MIC\_DATA0\_1 <>> MIC\_DATA0\_1  
 MIC\_DATA0\_2 <>> MIC\_DATA0\_2  
 MIC\_DATA0\_3 <>> MIC\_DATA0\_3  
 WS2812B\_DATA\_module <>> WS2812B\_DATA\_module



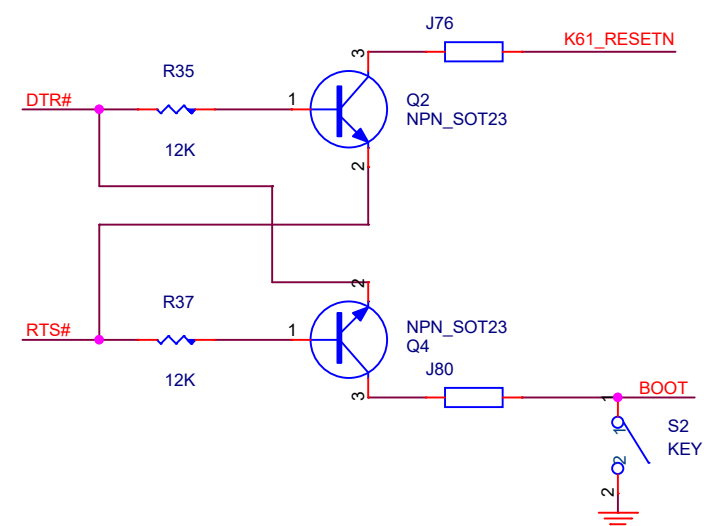
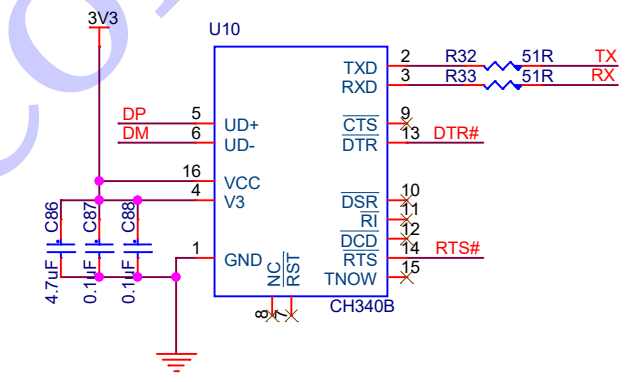
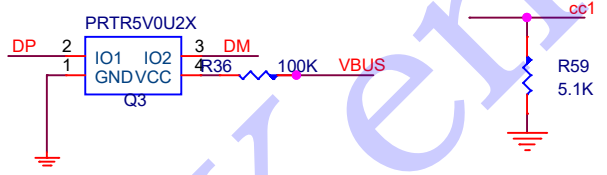
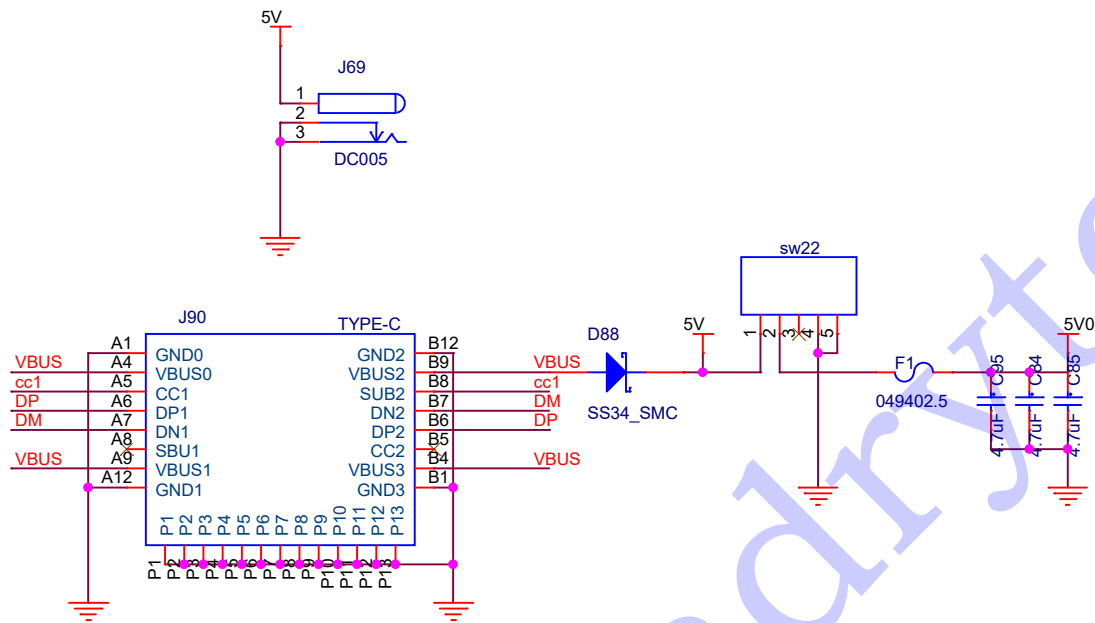
Kendryte.com

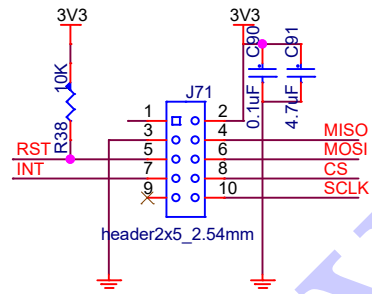
IIS\_BCK  
 IIS\_WS  
 IIS\_DA






TX << TX  
 RX >> RX  
 BOOT >> BOOT  
 K61\_RESETN >> K61\_RESETN

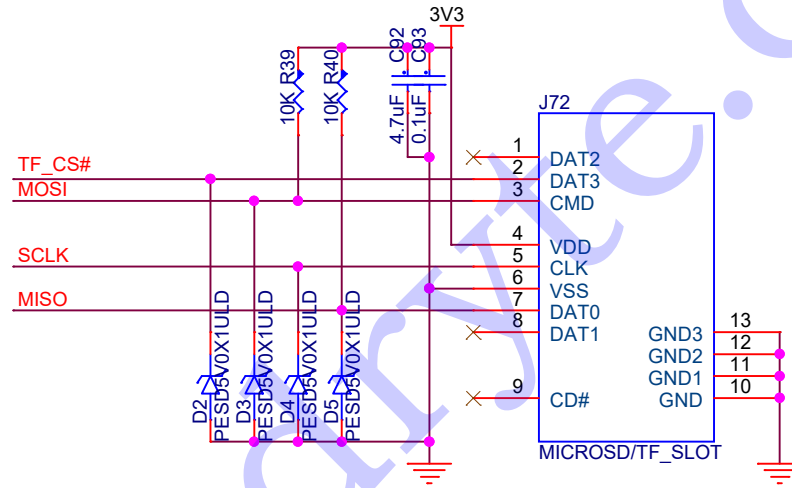





Kendryte.com

Kendryte		
Size A4	Document Number KD233(Schematic_K210_test_board)	Rev V0.1
Date: Wednesday, October 10, 2018	Sheet 10 of 13	

MISO << MISO  
 SCLK << SCLK  
 MOSI >> MOSI  
 TF\_CS# >> TF\_CS#



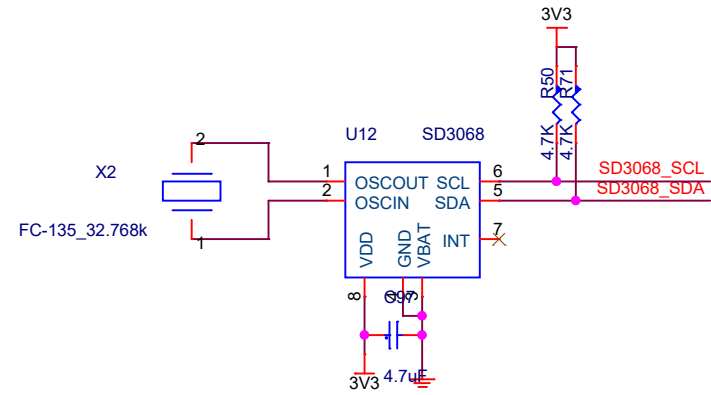
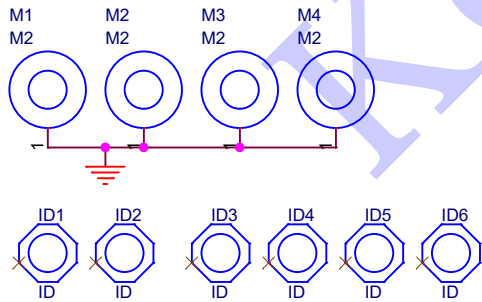
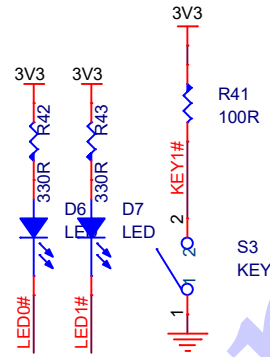
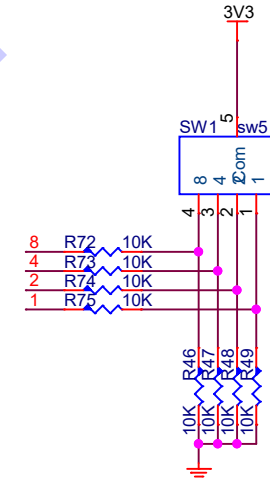
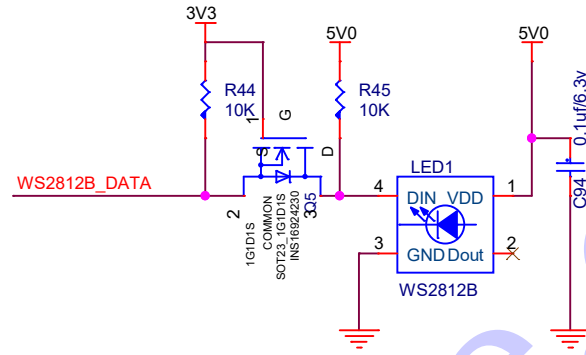
Kenda.com

Kendryte		
Size A	Document Number	Rev
	KD233(Schematic_K210_test_board)	V0.1
Date:	Wednesday, October 10, 2018	Sheet 11 of 13



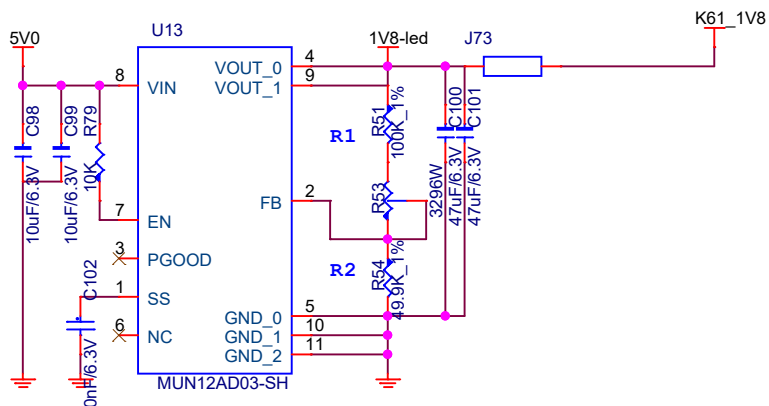
WS2812B\_DATA >> WS2812B\_DATA

LED0# >> LED0#  
 LED1# >> LED1#  
 KEY1# >> KEY1#  
 SD3068\_SCL >> SD3068\_SCL  
 SD3068\_SDA >> SD3068\_SDA



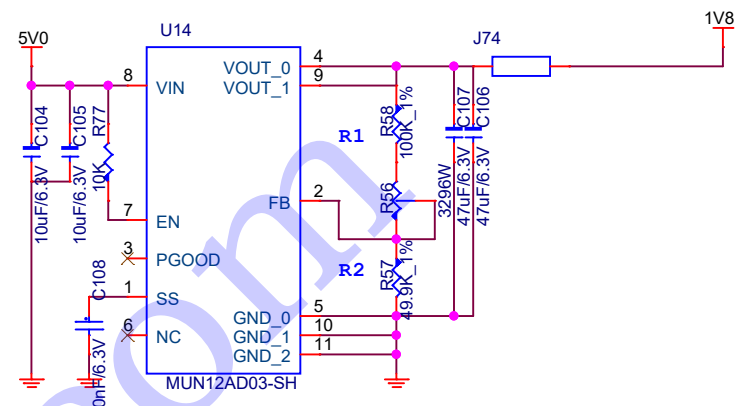
Kendryte

Size A4	Document Number KD233(Schematic_K210_test_board)	Rev V0.1
Date: Wednesday, October 10, 2018		Sheet 12 of 13



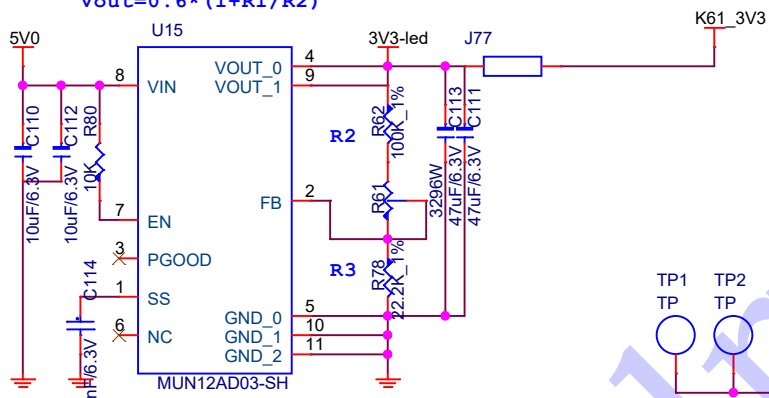
$$T_{ss} (ms) = C_{ss} (nF) * 0.6V / 4\mu A$$

$$V_{out} = 0.6 * (1 + R1/R2)$$



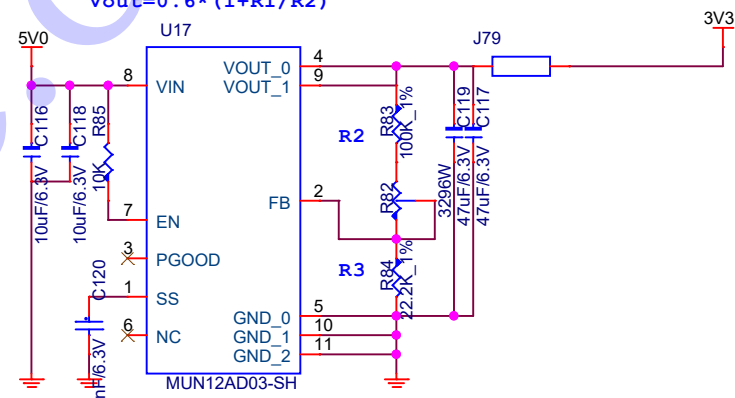
$$T_{ss} (ms) = C_{ss} (nF) * 0.6V / 4\mu A$$

$$V_{out} = 0.6 * (1 + R1/R2)$$



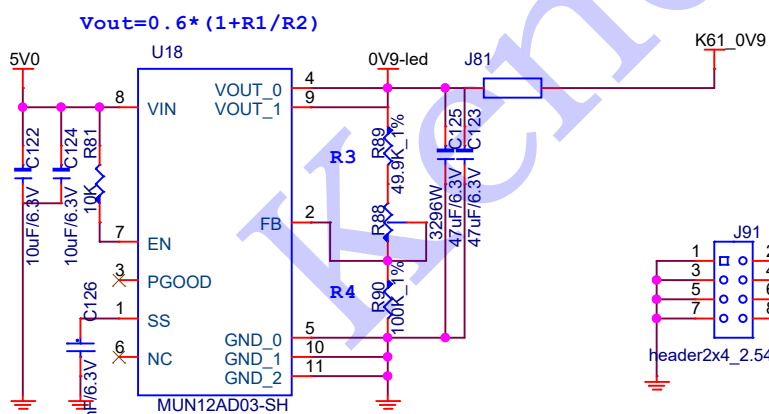
$$T_{ss} (ms) = C_{ss} (nF) * 0.6V / 4\mu A$$

$$V_{out} = 0.6 * (1 + R1/R2)$$



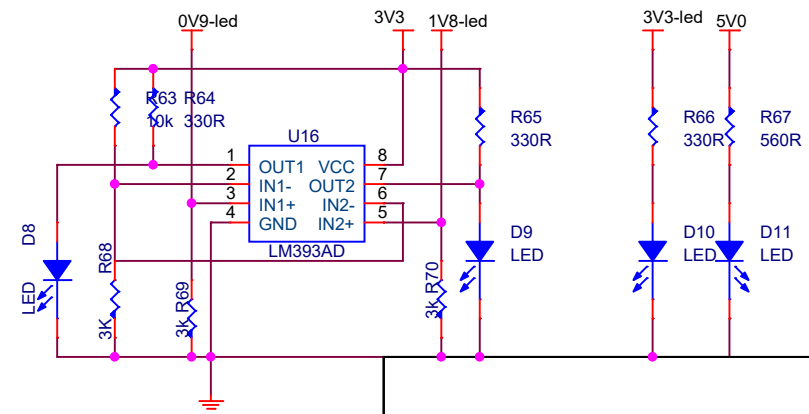
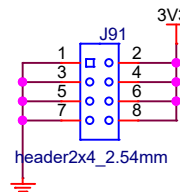
$$T_{ss} (ms) = C_{ss} (nF) * 0.6V / 4\mu A$$

$$V_{out} = 0.6 * (1 + R1/R2)$$



$$T_{ss} (ms) = C_{ss} (nF) * 0.6V / 4\mu A$$

$$V_{out} = 0.6 * (1 + R1/R2)$$



Kendryte

Size A4	Document Number KD233(Schematic_K210_test_board)	Rev V0.1
Date: Wednesday, October 10, 2018		Sheet 13 of 13